

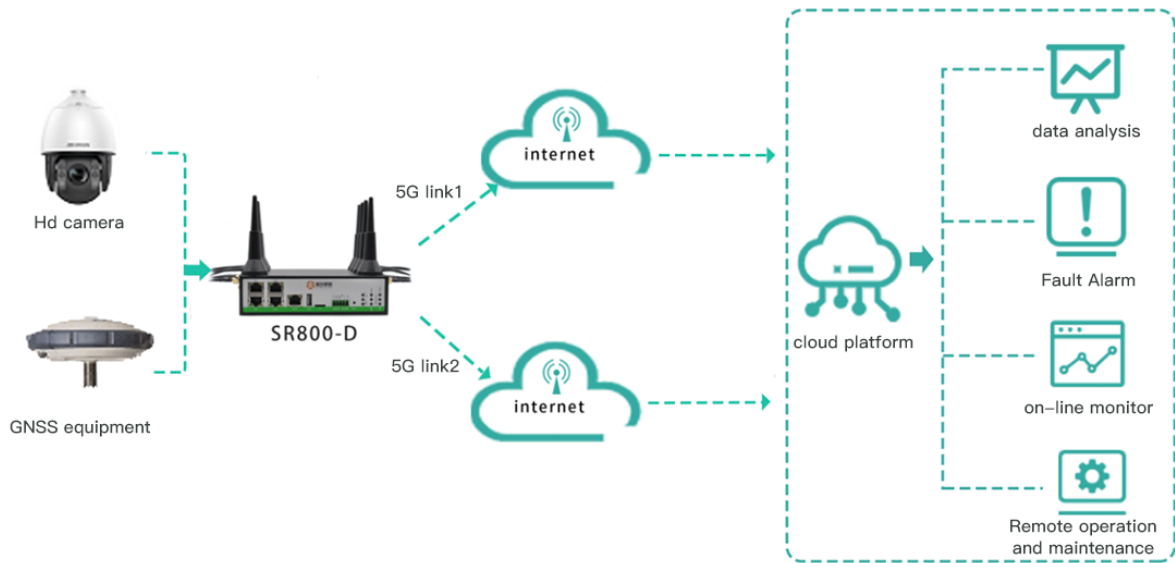
Product Overview

The SR800-D series products are IoT wireless routers which are integrated 5G networks, virtual private networks, and other technologies into one. With 5G wide-area wireless networks and Wi-Fi local area networks, this device offers uninterrupted access to multiple networks, providing users with high-speed and stable data transmission channels with comprehensive security and wireless services.

Product Features

- Supports dual mode dual SIM network backup
- Supports dual 5G high-speed network and Redcap networks
- Optional WLAN support
- Supports Multiple DNN
- Supports 5 Ethernet ports
- Supports wired and dual wireless multi-backup
- Supports rail and desktop installation
- Efficiently completes large-scale device network deployments
- Industrial design, capable of withstanding challenging conditions
- Supports Linux OpenWrt system, facilitating user secondary development with comprehensive development guides
- Supports various VPN functions: PPTP, L2TP, IPSEC, OPENVPN, GRE, GRE-TAP, Vxlan, etc
- Supports SNMP and STAR DEVICE MANAGER cloud platform, enabling efficient remote centralized network management

Topology Diagram



Technical Parameters

Hardware Performance

Memory	512MB , expandable to 1GB
FLASH	EMMC 4G, expandable to 8G
WIFI (Optional)	Supports 2.4G/5.8G dual-band, theoretical maximum rate of 866.7Mbps. Optional WIFI6, theoretical maximum rate of 1774Mbps
Network Support	2 industrial-grade 5G modules or 1 industrial-grade 5G module + 1 industrial-grade 4G module
System Time	NTP technology for time synchronization, with built-in RTC

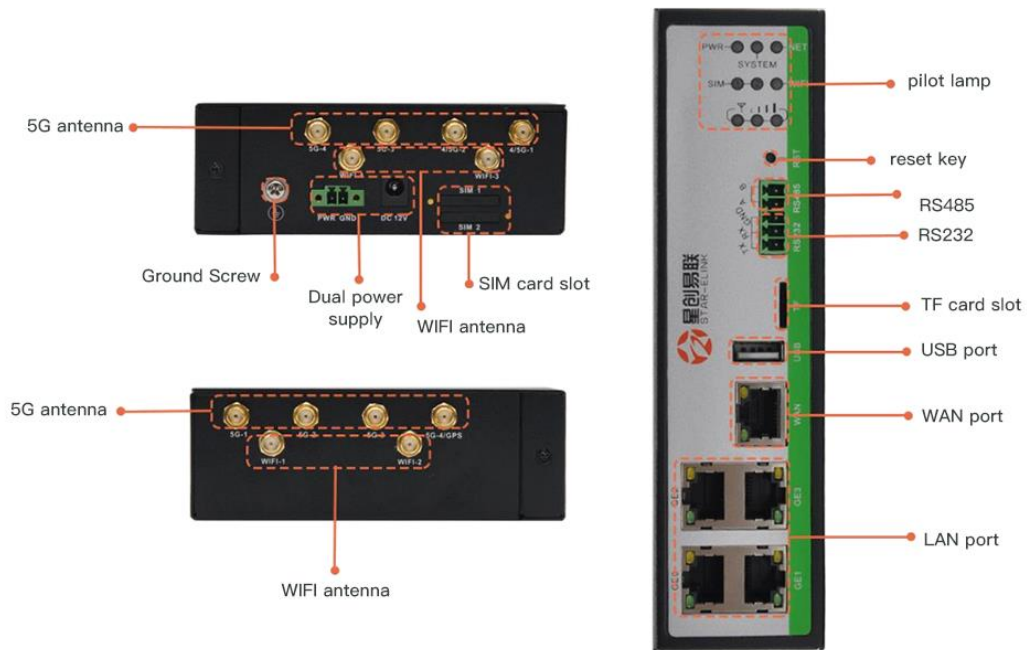
Interfaces

WAN Port	1 WAN port
LAN Port	4 ports (10M/100M/1000M adaptive MDI/MDIX)
SIM Card Slot	2 slots (drawer type, supports 1.8V/3V SIM/UIM cards)
Reset	1 reset button
Antenna Interface	8 antennas (5G antenna, 50-ohm impedance, SMA male interface) 4 antennas (2.4G/5.8 antenna, 50-ohm impedance, SMA interface)
Power Terminal	1 terminal (2-pin 3.81mm spacing connector)
Serial Port	1*RS232,1*RS485

Indicators	9 indicators (1 PWR indicator, 1 SYS indicator, 3 signal strength indicators, SIM1, SIM2, 1 WiFi indicator, 1 NET indicator)
Power Characteristics	
Power	External power adapter (12V 2A)
Operating Voltage	Wide power input DC 9~36V (expandable to 9~60V)
Standby Power Consumption	400~450mA@12V DC
Operating Power Consumption	450-650mA@12V DC
Operating Conditions	
Operating Temperature	-35~+75°C (-31~+167°F)
Storage Temperature	-40~+85°C (-40~+185°F)
Operating Humidity	5%~95% (non-condensing)
Device Ventilation	Natural heat dissipation, no noise
Physical Characteristics	
Chassis	Full metal chassis
Dimensions	Length*Width*Height:166*126*44mm (excluding antenna installation components)
Installation Method	Desktop placement, rail installation, wall mounting
Weight	Net weight: 0.67KG (excluding antennas and installation components) Gross weight: 0.95KG (with accessories and packaging box)
Device Security and Reliability	
Security and Reliability	Power reverse protection, overvoltage protection, overcurrent protection; Ethernet interface built-in 1.5KV electromagnetic isolation protection; RS232/RS485 interface built-in 15KV ESD protection; SIM/UIM card interface built-in 15KV ESD protection
Protection Level	IP30
Certification	Complies with CCC, RoHS
MTBF	≥100,000 hours
Software Features	
Network Access	Supports APN VPDN
Access Authentication	Supports CHAP/PAP authentication
Network Mode	GSM/GPRS/EDGE,LIMITS/HSPA+/EVDO/TD-SCDMA/TD-LTE/FDD LTE
LAN Protocol	Supports ARP, Ethernet
WAN Protocol	Supports static IP, DHCP, PPPoE, PPP
IP Applications	Supports Ping, Trace, DHCP Server, DHCP Relay, DHCP Client, DNS relay, DDNS, Telnet
IP Routing	Supports routing
NAT Function	Supports network address translation
Industrial Protocols	Supports environmental protection 212 protocol, supports MQTT, MUDBUS, and other industrial protocols
Network Security	

Firewall	Full state packet monitoring (SPI), defense against denial of service (DoS) attacks, filtering multicast Ping packets, access control lists (ACL), content URL filtering, port mapping, virtual IP mapping, IP-MAC binding
Data Security	IPsec VPN/L2TP/PPTP/GRE/OPEN VPN/CA certificate
Reliability	
Backup Function	Supports wired, dual 5G, and WiFi multiple backup routes
Online Link Monitoring	Sends heartbeat packets for detection, automatically reconnects when disconnected
Built-in Watchdog	Device self-checking technology, automatic fault repair
WLAN(Optional)	
Protocol Standard	IEEE 802.11b/g/n/ac (optional)
Rate	Up to 1774M
Security Features	Open system, shared key, WPA/WPA2 authentication, WEP/TKIP/AES encryption
Operating Mode	AP, Client mode
Transmission Distance	100m (actual transmission distance depends on the environment)
Intelligent Functions	
Integrated DTU Function	Supports TCP, UDP transparent transmission mode, TCP Server mode, Modbus RTU to Modbus TCP bridge, supports DCUDP, DCTCP mode
Network Management	
QoS Management	Supports bandwidth limitation, IP rate limiting
Configuration Method	Supports telnet, web, SSH, and console configuration methods
Upgrade Method	Supports web upgrade, supports FOTA
Logging Function	Supports local system logs, remote logs, serial port output logs
Network Management Function	Supports STAR Device Manager cloud platform for batch management
Simple Network Management Function	Supports SNMP v1/v2/v3, supports SNMP TRAP function
Traffic Management	Supports traffic threshold setting, traffic statistics, and traffic alarm functions
Maintenance Tools	Ping, route tracing
Status Query	System status, modem status, network connection status, route status

Product Interfaces



Product Dimensions

单位:mm
unit:mm

